

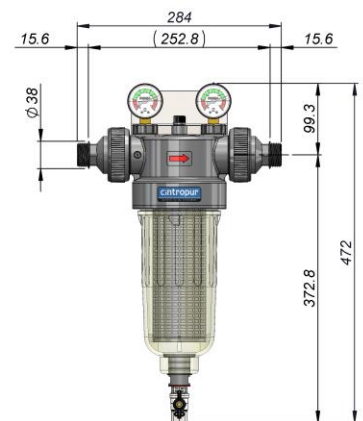
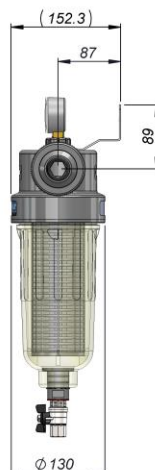
CINTROPUR®

WATERFILTRATION & TREATMENT



Technical datasheet: Filter CINTROPUR® NW280 1"

Filter type:	NW280
Connection diameter:	1"
Average flow rate:	7,5 m ³ /h at ΔP 0,2 bar
Working pressure:	10 bar
Max. operating pressure:	16 bar
Max. operating temperature:	50°C
Weight:	2,2 kg/ 2,7 kg (with package)
Filter head:	Reinforced polypropylene (PP) + fiberglass
Bowl:	PET, Transparent
Joint:	O'ring butadiene-acrylonitrile (NBR)
Centrifugal vane + cap:	Polypropylene (PP)
Filtering sleeve:	Non washable woven polyester or nylon (washable)
Filtration surface:	530 cm ²
Standard filter sleeve:	25 μ
Original equipment:	Sleeve 25 μ, key, drain-cock 1/2", 2 pressure gauges 0-20 bar with glycerine
Option:	Stainless steel wall fixation 3mm
Other filtering fineness:	<i>Non washable:</i> 1μ - 5μ - 10μ - 25μ - 50μ - 100μ <i>Washable:</i> 150μ - 300μ
(packs of 5 sleeves)	



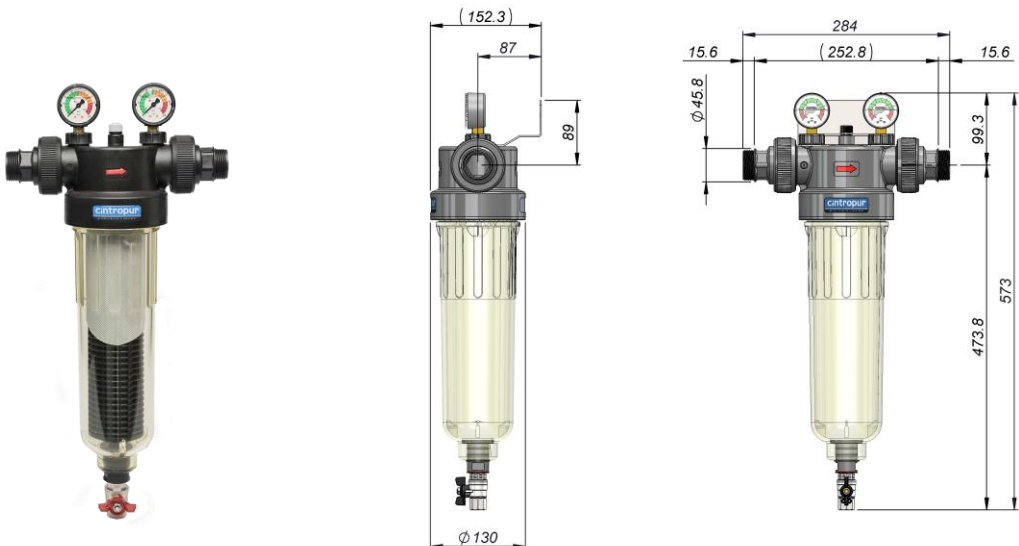
CINTROPUR®

WATER FILTRATION & TREATMENT



Technical datasheet: Filter CINTROPUR® NW340 I 1/4"

Filter type:	NW340
Connection diameter:	1 1/4"
Average flow rate:	10,5 m ³ /h at ΔP 0,2 bar
Working pressure:	10 bar
Max. operating pressure:	16 bar
Max. operating temperature:	50°C
Weight:	2,655 kg / 3,175 kg (with package)
Filter head:	Reinforced polypropylene (PP) + fiberglass
Bowl:	PET, Transparent
Joint:	O'ring butadiene-acrylonitrile (NBR)
Centrifugal vane + cap:	Polypropylene (PP)
Filtering sleeve:	Non washable woven polyester or nylon (washable)
Filtration surface:	770 cm ²
Standard filter sleeve:	25 μ
Original equipment:	Sleeve 25 μ, key, drain-cock 1/2", 2 pressure gauges 0-20 bar with glycerine
Option:	Stainless steel wall fixation 3mm
Other filtering fineness:	<i>Non washable:</i> 1μ - 5μ - 10μ - 25μ - 50μ - 100μ <i>Washable:</i> 150μ - 300μ
(packs of 5 sleeves)	



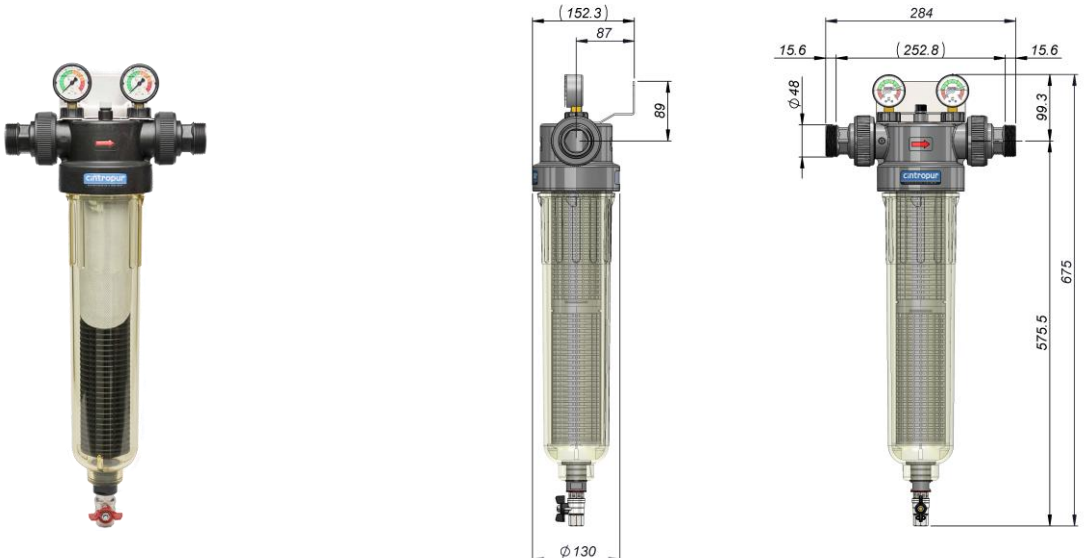
CINTROPUR®

WATERFILTRATION & TREATMENT



Technical datasheet: Filter CINTROPUR® NW400 1 1/2"

Filter type:	NW400
Connection diameter:	1 1/2"
Average flow rate:	12,5 m ³ /h at ΔP 0,2 bar
Working pressure:	10 bar
Max. operating pressure:	16 bar
Max. operating temperature:	50°C
Weight:	2,881 kg / 3,467 kg (with package)
Filter head:	Reinforced polypropylene (PP) + fiberglass
Bowl:	PET, Transparent
Joint:	O'ring butadiene-acrylonitrile (NBR)
Centrifugal vane + cap:	Polypropylene (PP)
Filtering sleeve:	Non washable woven polyester or nylon (washable)
Filtration surface:	1010 cm ²
Standard filter sleeve:	25 μ
Original equipment:	Sleeve 25 μ, key, drain-cock 1/2", 2 pressure gauges 0-20 bar with glycerine
Option:	Stainless steel wall fixation 3mm
Other filtering fineness:	<i>Non washable:</i> 1μ - 5μ - 10μ - 25μ - 50μ - 100μ <i>Washable:</i> 150μ - 300μ
(packs of 5 sleeves)	



Airwatec NV/SA | Hochstrasse 104d | 4700 Eupen | Belgium
T.: +32 87 59 83 30 | F.: +32 87 59 84 40 | E.: info@airwatec.com
VAT/BTW BE 0464.530.129 | www.airwatec.com